

4

3

2

1

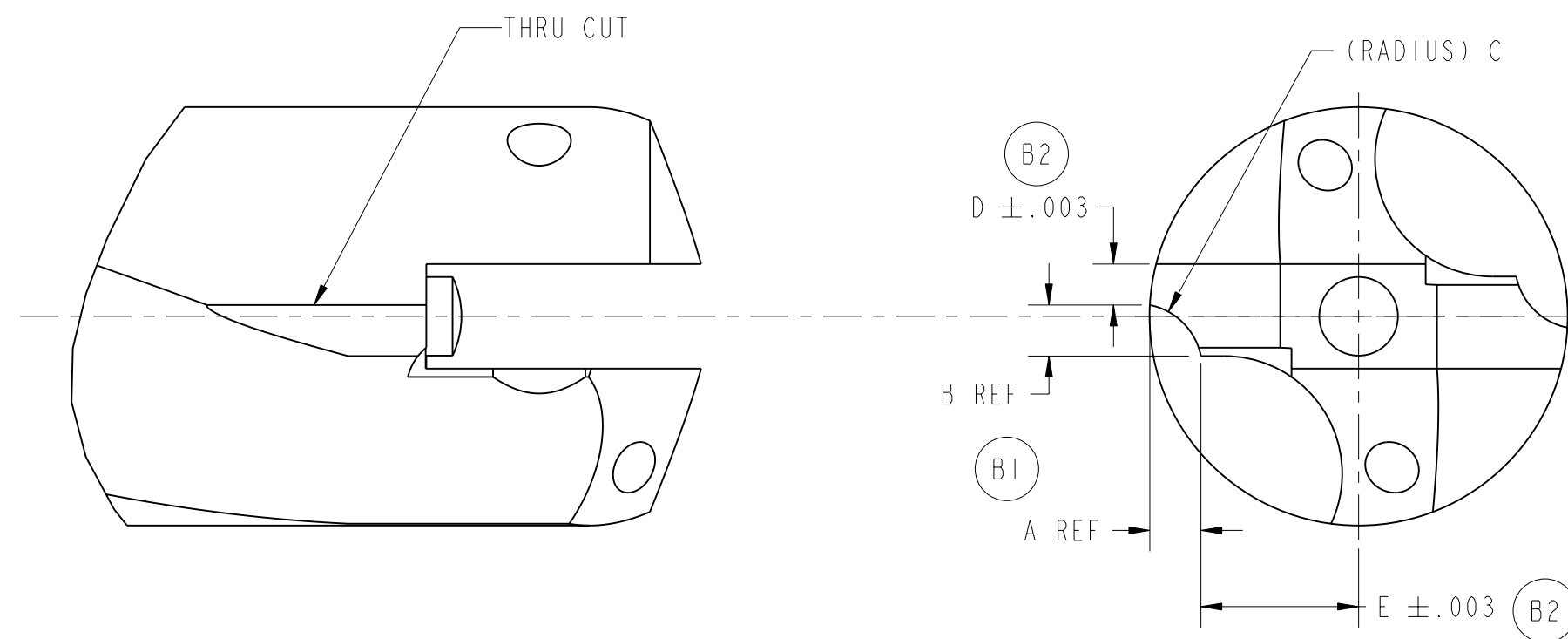
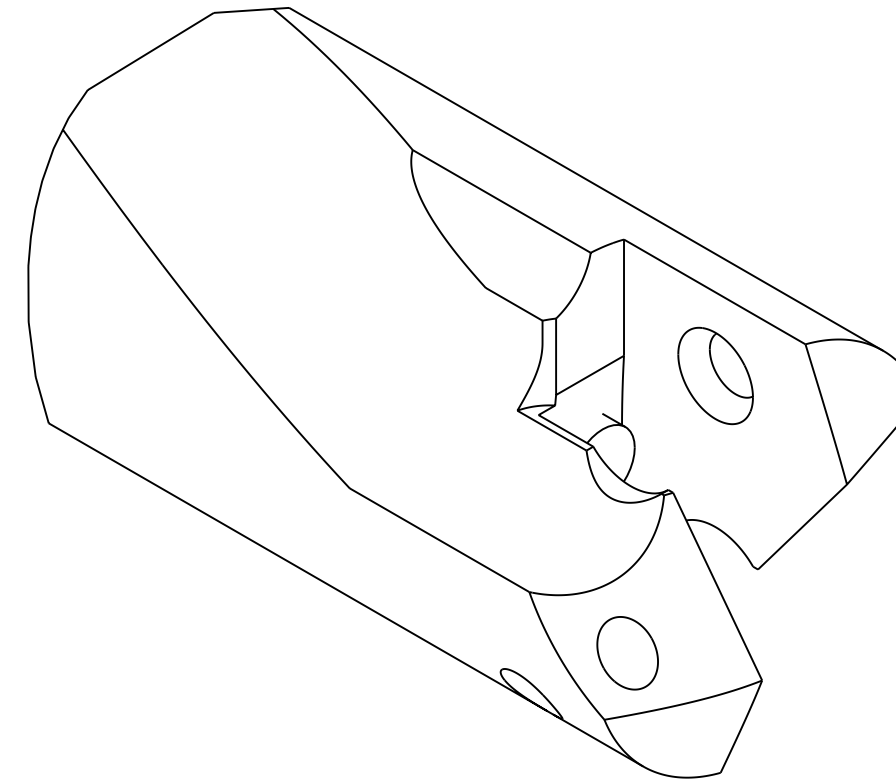
REVISIONS						
ZONE	REV	DESCRIPTION	ECN	DATE	BY	CHK
C3	A	(A1) #2 STANDARD .105 WAS .103, 3/32 WAS 5/64, .371 WAS .373		11-07-05	JES	REM
C3	A	(A2) #2 STRUCTURAL .108 WAS .102, 3/32 WAS 5/64, .385 WAS .391		-	-	-
C3	A	(A3) BOTH #2.5 SERIES .130 WAS .125, 3/32 WAS 5/64, .456 WAS .461		-	-	-
B1	B	(B1) REFERENCE DIMENSIONS A AND B WERE TOLERANCED AT $\pm .003$		11-17-05	JES	REM
B1	B	(B2) TOLERANCED DIMENSIONS D AND E WERE REF.		-	-	-

SERIES	HOLDER TYPE	ITEM NUMBER	A (REF) FROM BODY	B (REF) FROM SLOT	C RADIUS	D FROM SLOT	E FROM $\phi$
Z	STANDARD	2X020H-XXXX	.061	.050	1/16	.029	.154
0	STANDARD	2X000H-XXXX	.059	.063	1/16	.047	.191
0	STRUCTURAL STEEL	24000H-0031S036	.064	.064	1/16	.046	.208
0.5	STANDARD	2X005H-XXXX	.072	.060	1/16	.050	.225
0.5	STRUCTURAL STEEL	24005H-0031S040	.069	.059	1/16	.051	.236
0.5	STRUCTURAL STEEL	24005H-0031S044	.077	.057	1/16	.053	.260
1	STANDARD	2X010H-XXXX	.077	.087	5/64	.054	.263
1	STRUCTURAL STEEL	2X010H-0031S052	.090	.080	5/64	.061	.309
1.5	STANDARD	2X015H-XXXX	.100	.076	5/64	.065	.322
1.5	STRUCTURAL STEEL	24015H-00X1S056	.094	.076	5/64	.065	.332
1.5	STRUCTURAL STEEL	2X015H-00X1S060	.104	.076	5/64	.065	.358
2	STANDARD	2X020H-XXXX	.105	.085	3/32	.088	.371
2	STRUCTURAL STEEL	2X020H-0041S100	.108	.084	3/32	.089	.385
2.5	STANDARD	2X025H-XXXX	.130	.080	3/32	.093	.456
2.5	STRUCTURAL STEEL	24025H-0041S112	.130	.080	3/32	.093	.456

(A1)

(A2)

(A3)



DEVELOPED FOR DISTRIBUTOR:	DO NOT SCALE FOR DIMS.	ALLIED MACHINE & ENGINEERING CORP.	
CONTACT:	GENERAL TOLERANCES	DOVER, OHIO 44622	
THIS DRAWING IS THE PROPERTY OF ALLIED MACHINE & ENGINEERING CORP. IT IS NOT TO BE COPIED OR TRANSFERRED, IN WHOLE OR IN PART, WITHOUT WRITTEN PERMISSION OF ALLIED MACHINE & ENGINEERING CORP.	DIM. .X .XX .XXX .XXXX	TITLE: Z - #2.5 SERIES T-A HELICAL FLUTED GEN2 HOLDER MODIFICATION	
	DEC. $\pm .030$ $\pm .010$ $\pm .001$ $\pm .0005$	SIZE	FSCM NO.
	FRAC. $\pm 1/64$	DWG. NO.	REV
	ANG. $\pm .5^\circ$	3-20-0198	B
	DRWN: JES DATE: 10-28-05	SCALE 5.000	WT.
CHK: REM DATE: 11-02-05			
APVD: JPN DATE: 11-03-05			

4

3

2

1