

4

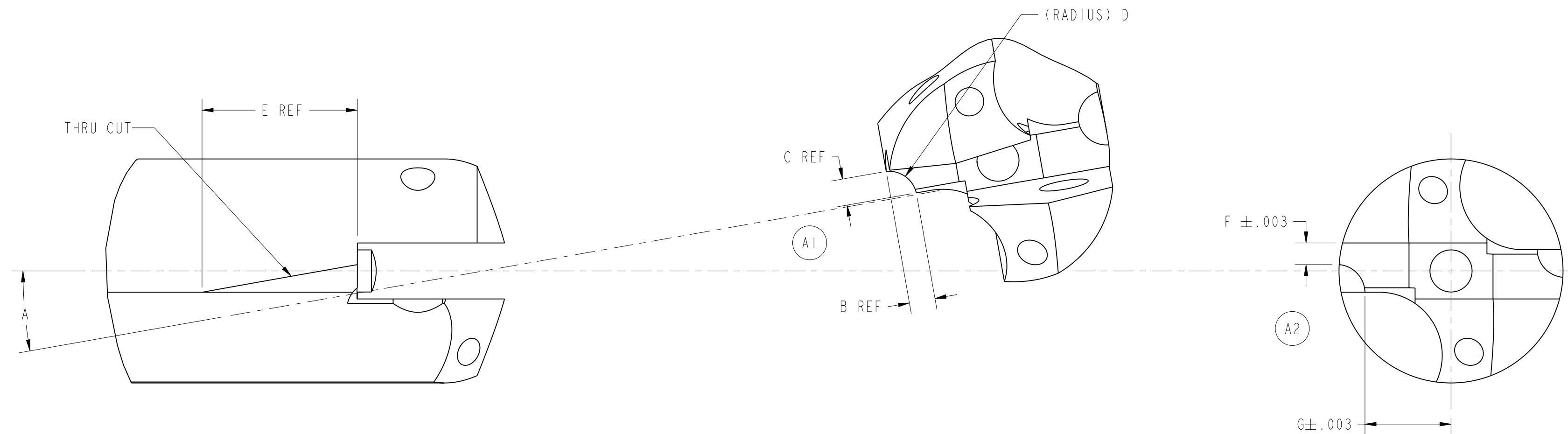
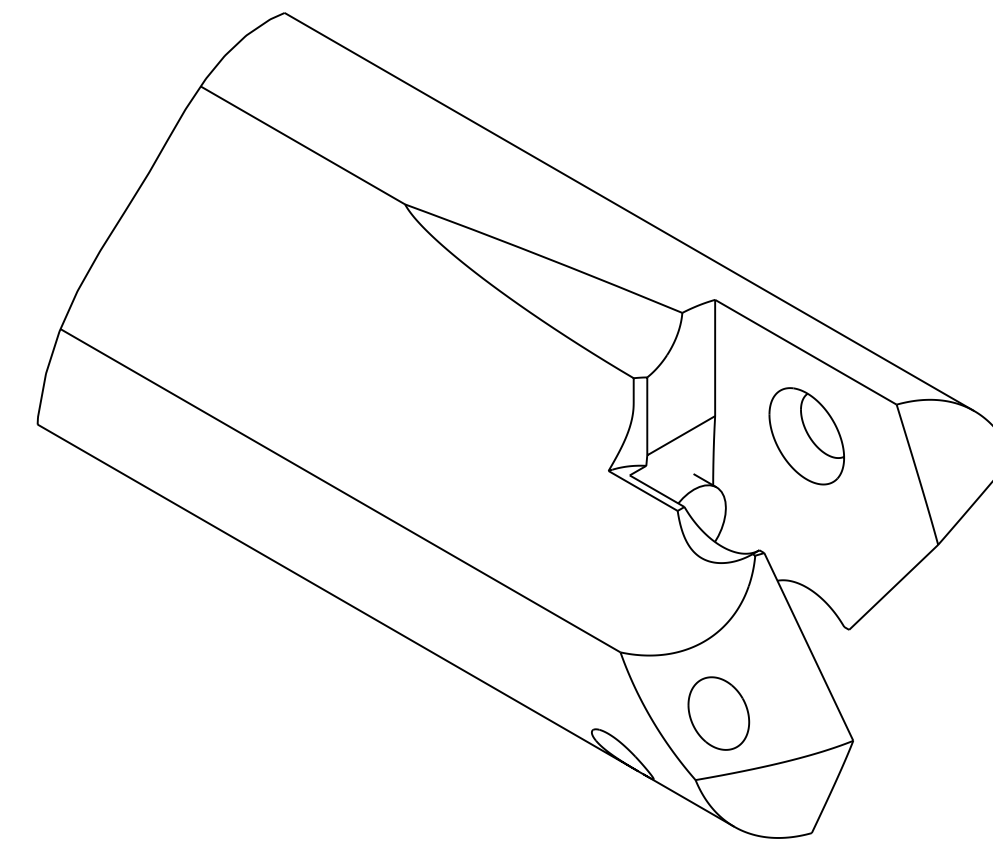
3

2

1

REVISIONS						
ZONE	REV	DESCRIPTION	ECN	DATE	BY	CHK
B2	A	(A1) REFERENCE DIMENSIONS C AND D WERE TOLERANCED AT ±.003		11-17-05	JES	REM
B1	A	(A2) TOLERANCED DIMENSIONS F AND G WERE REF.		-	-	-

SERIES	HOLDER TYPE	ITEM NUMBER	A ANGLE	B (REF) FROM BODY	C (REF) FROM SLOT	D RADIUS	E REF	F FROM SLOT	G FROM ϕ
Z	STANDARD	2X0Z0S-XXXX	4.5°	.057	.050	1/16	.6445	.028	.158
0	STANDARD	2X000S-XXXX	8°	.060	.061	1/16	.4455	.047	.190
0	STRUCTURAL STEEL	22000S-003IS036	8°	.063	.062	1/16	.4545	.046	.209
0.5	STANDARD	2X005S-XXXX	8°	.069	.058	1/16	.4289	.050	.228
0.5	STRUCTURAL STEEL	22005S-003IS040	8°	.067	.057	1/16	.4196	.051	.238
0.5	STRUCTURAL STEEL	22005S-003IS044	8°	.077	.053	1/16	.3488	.055	.260
1	STANDARD	2X010S-XXXX	7.5°	.076	.083	5/64	.6429	.056	.264
1	STRUCTURAL STEEL	22010S-003IS052	8°	.089	.076	5/64	.5561	.063	.310
1.5	STANDARD	2X015S-XXXX	10°	.099	.073	5/64	.4304	.065	.323
1.5	STRUCTURAL STEEL	22015S-00XIS056	10°	.094	.072	5/64	.4218	.067	.332
1.5	STRUCTURAL STEEL	22015S-00XIS060	10°	.102	.073	5/64	.4189	.067	.360
2	STANDARD	2X020S-XXXX	10°	.104	.081	3/32	.4765	.089	.372
2	STRUCTURAL STEEL	22020S-004IS100	10°	.107	.081	3/32	.4765	.089	.386
2.5	STANDARD	2X025S-XXXX	10°	.132	.075	3/32	.4419	.095	.454
2.5	STRUCTURAL STEEL	22025S-004IS126	10°	.132	.075	3/32	.4419	.095	.454



DEVELOPED FOR DISTRIBUTOR:	DO NOT SCALE FOR DIMS.	ALLIED MACHINE & ENGINEERING CORP. DOVER, OHIO 44622	
CONTACT:	GENERAL TOLERANCES	TITLE: Z - #2.5 SERIES T-A STRAIGHT FLUTED GEN2 HOLDER MODIFICATION	
THIS DRAWING IS THE PROPERTY OF ALLIED MACHINE & ENGINEERING CORP. IT IS NOT TO BE COPIED OR TRANSFERRED, IN WHOLE OR IN PART, WITHOUT WRITTEN PERMISSION OF ALLIED MACHINE & ENGINEERING CORP.	DIM. .X .XX .XXX .XXXX	SIZE	FSCM NO.
	DEC. ±.030 ±.010 ±.001 ±.0005	C	DWG. NO. 3-20-0197
	FRAC. ±1/64	REV A	
	ANG. ±.5°	SCALE 5.000	WT.
DRWN: JES DATE: 10-28-05	APVD: JPN DATE: 11-03-05	SHEET 1 OF 1	

4

3

2

1