

# boring

# MASTER SHANKS

*dual contact, imperial straight shanks, R8*

## MVS Master Shanks



Increased rigidity



Improved concentricity



Additional sizes



BORING



DRILLING



REAMING



BURNISHING



THREADING



SPECIALS



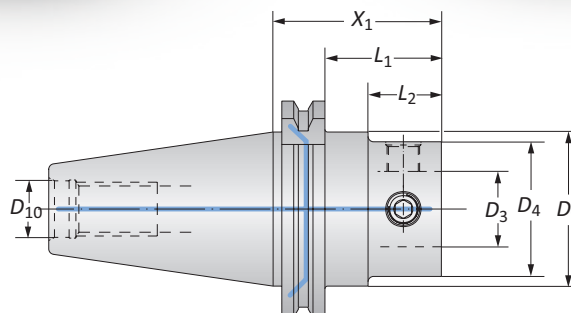
**ALLIED MACHINE  
& ENGINEERING**

Allied Machine offers a wide range of drilling, boring, reaming, burnishing, and threading tools to lower your **cost per hole**.

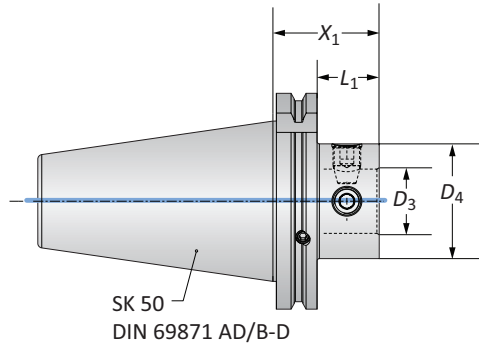


## DUAL CONTACT

- CAT shanks
- SK shanks
- BT shanks
- Increased rigidity
- Improved concentricity

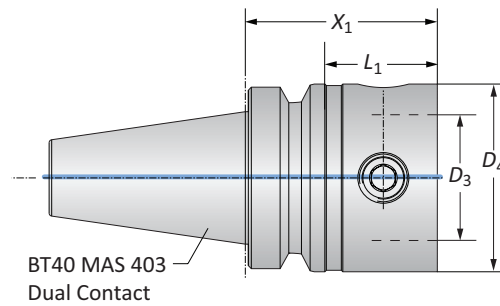


Taper Size	Connection	Shank					Weight	Part No.
		$D_1   D_3$	$X_1$	$L_1$	$L_2$	$D_9$		
i	40 - 50 - 28	2.440	1.688	1.062	1.752	$\frac{5}{8}$ - 11	2.645 (lbs)	353062
	40 - 50 - 28	5.394	4.642	4.016	1.752	$\frac{5}{8}$ - 11	5.292 (lbs)	353076
	40 - 63 - 36	3.228	2.440	1.850	1.752	$\frac{5}{8}$ - 11	3.747 (lbs)	353063
	50 - 50 - 28	2.440	1.964	1.062	2.752	1 - 8	7.054 (lbs)	353061
	50 - 50 - 28	7.953	7.201	6.575	2.752	1 - 8	11.687 (lbs)	353077
	50 - 63 - 36	2.835	2.083	1.457	2.752	1 - 8	7.938 (lbs)	353078
	50 - 63 - 36	8.740	7.988	7.362	2.752	1 - 8	15.656 (lbs)	353079
	50 - 80 - 36	2.834	2.082	1.456	2.752	1 - 8	8.818 (lbs)	353060
	50 - 80 - 36	10.709	9.957	9.331	2.752	1 - 8	26.240 (lbs)	353080
	50 - 100 - 56	4.134	3.382	2.756	2.752	1 - 8	13.230 (lbs)	353081
50 - 100 - 56	12.008	11.256	10.630	2.752	1 - 8	39.470 (lbs)	353082	
ii	40 - 50 - 28	62.00	42.90	27.00	44.50	$\frac{5}{8}$ - 11	1.20 (kg)	353062
	40 - 50 - 28	137.00	117.90	102.00	44.50	$\frac{5}{8}$ - 11	2.40 (kg)	353076
	40 - 63 - 36	82.00	62.90	47.00	44.50	$\frac{5}{8}$ - 11	1.70 (kg)	353063
	50 - 50 - 28	62.00	49.90	27.00	69.90	1 - 8	3.20 (kg)	353061
	50 - 50 - 28	202.00	182.90	167.00	69.90	1 - 8	5.30 (kg)	353077
	50 - 63 - 36	72.00	52.90	37.00	69.90	1 - 8	3.60 (kg)	353078
	50 - 63 - 36	222.00	202.90	187.00	69.90	1 - 8	7.10 (kg)	353079
	50 - 80 - 36	72.00	52.90	37.00	69.90	1 - 8	4.00 (kg)	353060
	50 - 80 - 36	272.00	252.90	237.00	69.90	1 - 8	11.90 (kg)	353080
	50 - 100 - 56	105.00	85.90	70.00	69.90	1 - 8	6.00 (kg)	353081
50 - 100 - 56	305.00	258.90	270.00	69.90	1 - 8	17.90 (kg)	353082	



Dual Contact SK Shanks (DIN 69871-AD / B-D)

	Taper Size	Connection $D_4   D_3$	Shank		Weight	Part No. Shanks
			$X_1$	$L_1$		
i	40	50 - 28	1.811	1.059	2.426 (lbs)	353064
	40	63 - 36	2.598	1.846	6.395 (lbs)	353065
	50	50 - 28	1.811	1.059	6.395 (lbs)	353066
	50	63 - 36	2.205	1.453	7.056 (lbs)	353067
	50	80 - 36	2.205	1.453	8.159 (lbs)	353068
	50	100 - 56	3.543	2.791	11.687 (lbs)	353069
m	40	50 - 28	46.00	26.90	1.10 (kg)	353064
	40	63 - 36	66.00	46.90	1.50 (kg)	353065
	50	50 - 28	46.00	26.90	2.90 (kg)	353066
	50	63 - 36	56.00	36.90	3.20 (kg)	353067
	50	80 - 36	56.00	36.90	3.70 (kg)	353068
	50	100 - 56	90.00	70.90	5.30 (kg)	353069



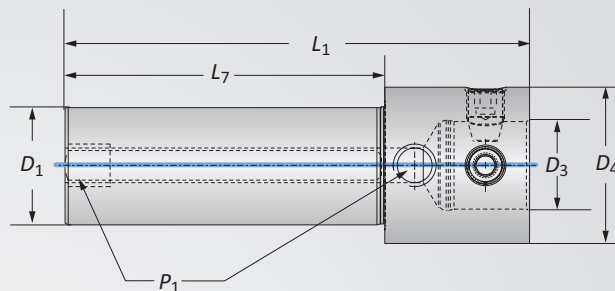
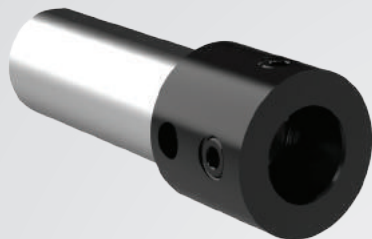
Dual Contact BT Shanks (JIS B 6339)

	Taper Size	Connection $D_4   D_3$	Shank		Weight	Part No. Shanks
			$X_1$	$L_1$		
i	40	50 - 28	2.126	1.063	2.646 (lbs)	353070
	40	63 - 36	2.520	1.457	3.308 (lbs)	353071
	50	50 - 28	2.559	1.055	8.820 (lbs)	353072
	50	63 - 36	2.953	1.449	9.261 (lbs)	353073
	50	80 - 36	2.953	1.449	10.584 (lbs)	353074
	50	100 - 56	3.543	-	12.128 (lbs)	353075
m	40	50 - 28	54.00	27.00	1.20 (kg)	353070
	40	63 - 36	64.00	37.00	1.50 (kg)	353071
	50	50 - 28	65.00	26.80	4.00 (kg)	353072
	50	63 - 36	75.00	36.80	4.20 (kg)	353073
	50	80 - 36	75.00	36.80	4.80 (kg)	353074
	50	100 - 56	90.00	-	5.50 (kg)	353075



## Imperial Straight Shanks

- Four different sizes
- Lathe applications
- Body side pipe tap for coolant through

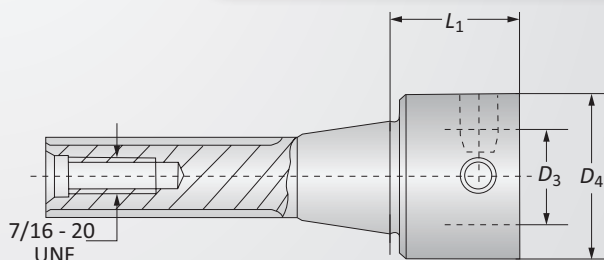
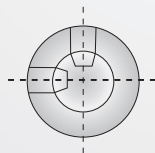
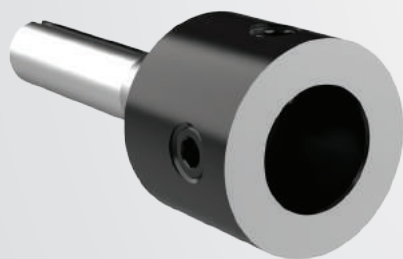


### Imperial Straight Shanks

	Connection	Shank				Weight	Part No.
	$D_4   D_3$	$L_7$	$D_1$	$P_1$	$L_1$		
<b>i</b>	40 - 22	3-½	1-¼	⅝-27 NPTF	5.080	1.764 (lbs)	<b>K71547</b>
	50 - 28	4	1-½	¾-18 NPTF	5.810	3.086 (lbs)	<b>K71548</b>
	63 - 36	4-½	2	¾-18 NPTF	6.700	5.952 (lbs)	<b>K71549</b>
	80 - 36	4-½	2	¾-18 NPTF	6.700	7.716 (lbs)	<b>K71550</b>
<b>m</b>	40 - 22	3-½	1-¼	⅝-27 NPTF	129.03	0.80 (kg)	<b>K71547</b>
	50 - 28	4	1-½	¾-18 NPTF	147.57	1.39 (kg)	<b>K71548</b>
	63 - 36	4-½	2	¾-18 NPTF	170.18	2.69 (kg)	<b>K71549</b>
	80 - 36	4-½	2	¾-18 NPTF	170.18	3.49 (kg)	<b>K71550</b>

## R8 Shanks

- Expanded R8 shank offering
- For use in Bridgeport milling machines
- Perfect for PrimeBore boring heads



### R8 Shanks

	Connection	Shank	Weight	Part No.
	$D_4   D_3$	$L_1$		
<b>i</b>	50 - 28	1.770	2.204 (lbs)	<b>132022T007166</b>
	63 - 36	2.362	2.866 (lbs)	<b>132066T007166</b>
<b>m</b>	50 - 28	45.00	1.00 (kg)	<b>132022T007166</b>
	63 - 36	60.00	1.30 (kg)	<b>132066T007166</b>

Allied Machine offers expert engineering support. Whether you need a quote, a test, or an application solution, a highly skilled and trained engineer is standing by, ready to help.  
[www.alliedmachine.com/contactus](http://www.alliedmachine.com/contactus)

Literature Order Number: WOHL-SHANKS

Copyright © 2023 Allied Machine and Engineering Corp. – All rights reserved.

All trademarks designated with the ® symbol are registered in the United States and other countries.



**ALLIED MACHINE & ENGINEERING**

**WOHLHAUPTER®**

Holemaking Solutions for Today's Manufacturing