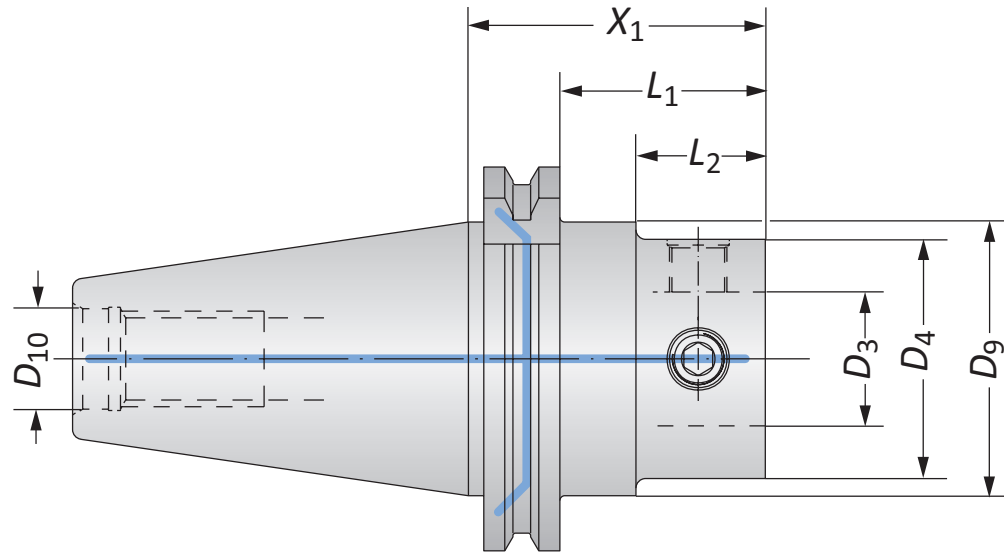


WOHLHAUPTER® New Dual Contact CAT Master Shanks



Taper Size	Connection	Shank Dimensions					Weight	Order No.	
		X_1 mm	L_1 mm	L_2 mm	D_5 mm	D_9 mm			D_{10} in
40	50 - 28	62.0	42.9	27.0	-	44.5	5/8 - 11	1.2	353062
40	63 - 36	82.0	62.9	47.0	-	44.5	5/8 - 11	1.7	353063
50	50 - 28	62.0	42.9	27.0	-	69.9	1 - 8	3.2	353061
50	80 - 36	72.0	52.9	37.0	-	69.9	1 - 8	4.0	353060

For more information log onto: www.wohlhaupter.com or contact us at 330.343.4283 | 1.800.321.5537



Holemaking Solutions for Today's Manufacturing